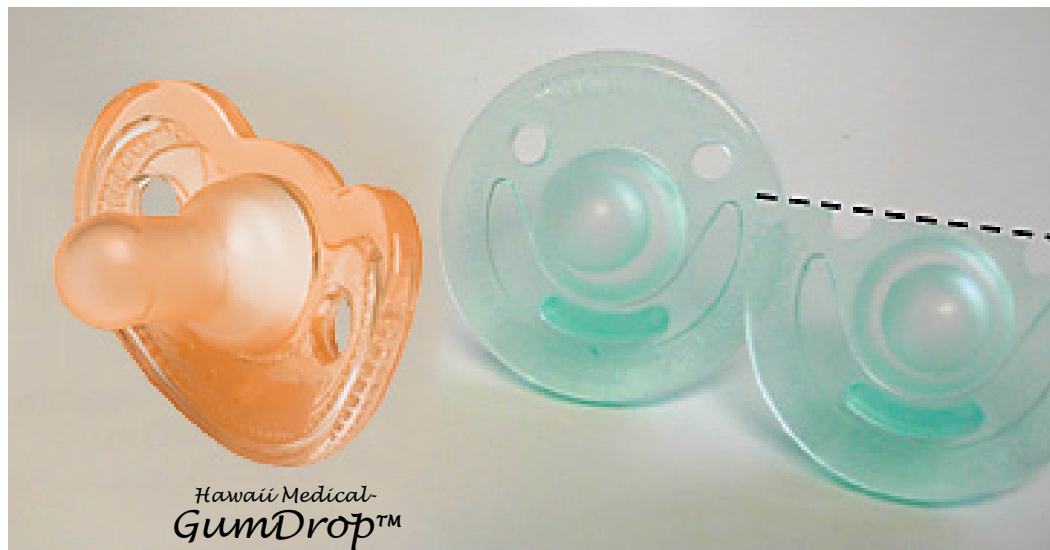


PACIFIER SAFETY ALERT

Cut Down Pacifiers Fail Safety Regulations

1. Pacifiers are regulated by an agency of the U.S. government, and must pass stringent safety requirements (Consumer Product Safety Commission Part 1511), including a Pull Through test.
2. Trimmed pacifiers fail the Pull Through test and can put your babies at risk due to infection borne by scissors used for trimming, loose silicone fragments and the danger of aspirating the pacifier.
3. There's no need for trimming with the GumDrop™ pacifier! GumDrop accommodates nasal tubes and cannulas without trimming and passes the Pull Through test.

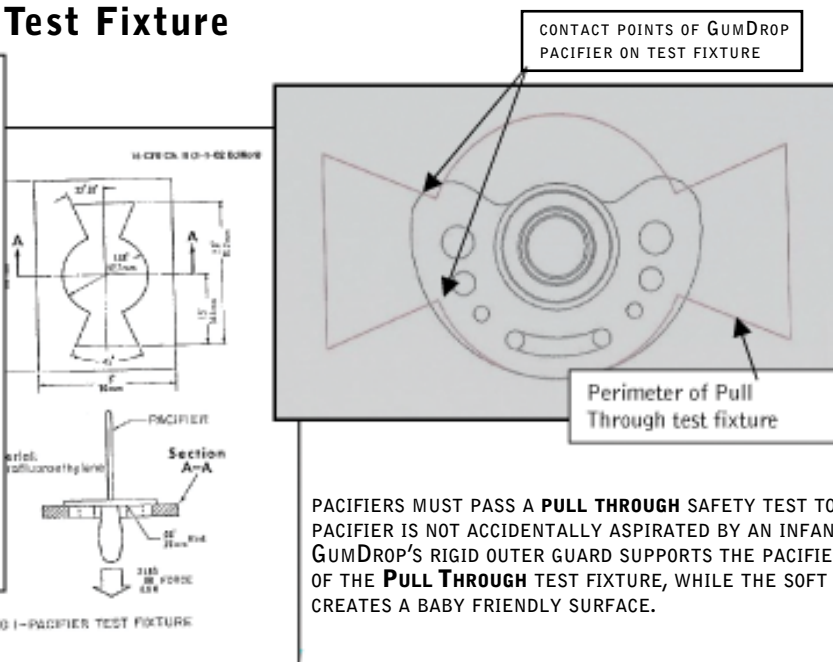
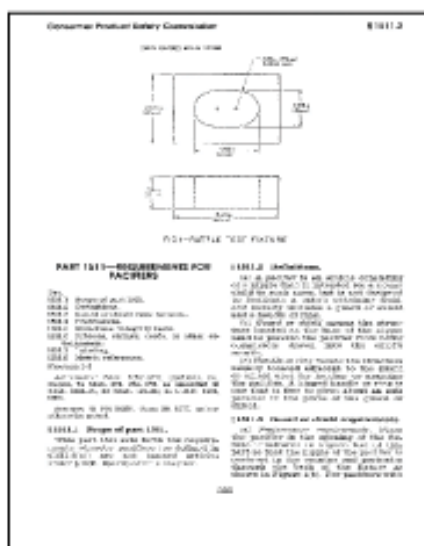


TRIMMING A SILICONE PACIFIER RESULTS IN:

- **LOSS** of structural integrity
- **FAILING** the CPSC Pull Through test
- **ADULTERATED** product that puts babies at risk due to silicone fragments and danger of aspirating the pacifier.

Soothie™ is a Trademark of Children's Medical Ventures. An untrimmed Soothie complies with regulations.

Pacifier Pull Through Test Fixture



PACIFIERS MUST PASS A **PULL THROUGH** SAFETY TEST TO INSURE THE PACIFIER IS NOT ACCIDENTALLY ASPIRATED BY AN INFANT. GumDrop's RIGID OUTER GUARD SUPPORTS THE PACIFIER ON THE EDGES OF THE **PULL THROUGH** TEST FIXTURE, WHILE THE SOFT UPPER EDGE CREATES A BABY FRIENDLY SURFACE.

natus
pediatrics

Natus Medical Incorporated

1501 Industrial Road • San Carlos, CA 94070 USA | 1.800.255.3901 (US/CA) • Worldwide: 1.650.802.0400

www.natus.com

P/N 003394A