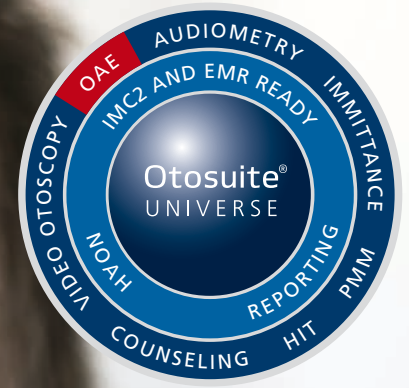


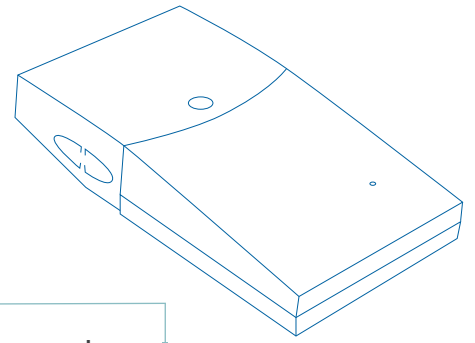
Madsen® Capella<sup>2</sup>



The gold standard in  
OAE testing

natus®

## Powerful. Intuitive. Flexible.



**Built in coupler:**  
Easily accessible,  
removable cavity for  
quick probe checks.



**USB plug, play and powered:**  
Convenient design makes it trouble  
free to move around your clinic since  
it only needs a USB port for power.



**Accurate measurements:**  
Assured with a proven and  
well documented probe.

The Madsen Capella<sup>2</sup> from Natus is the result of a technology partnership between a recognized leader in clinical OAE and the leader in clinical usability. It gives you the power of an objective and accurate analysis of cochlear function for all ages.

The superior user interface of the Madsen Capella<sup>2</sup> is integrated into Otosuite<sup>®</sup> and incorporates functionality that far exceeds other OAE systems on the market today. And as with other clinical tools in Otosuite, you can continue to give your patients the best possible care without compromising workflow efficiencies.

### THE FACTS

- Available modules: DP (includes DP Gram and DP I/O), TE and SOAE
- Historical test data comparison including probe fit and per point spectrum comparison
- Choice of Chirp or Optimized In Situ calibration for improved measurement accuracy
- PrecisePoints™ feature for easy test frequency selection
- Probe fit before and after test including signal correlation
- User controlled overlays

The Madsen Capella<sup>2</sup> is the first OAE system to meet the international standard set for diagnostic OAE devices. It's easy to use but also provides dynamic features in a modernized workflow.

- Checking the probe fit at both the beginning and end of a measurement
- Predefined user tests
- Programmable sequences
- Ability to swap ear data
- Easy comparison of results with normative values

All this provides enhanced ease of use and improved confidence in your results.



Intuitive user interface.

### Intuitive easy-to-use software

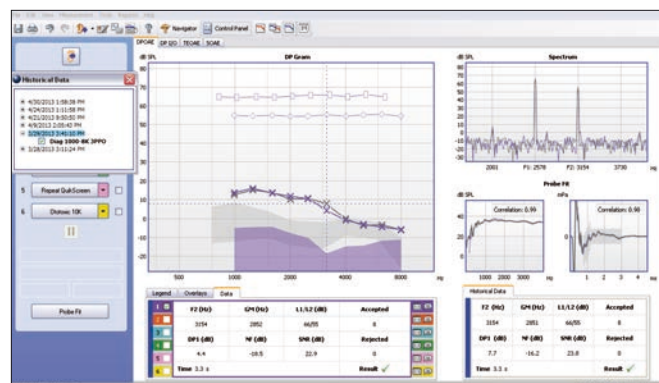
Madsen Capella<sup>2</sup> is working under the Otosuite software platform. It is simple to use, very comprehensive and extraordinarily powerful. All of the key elements are accessible on the intuitive control panel. It is easy to select your preferred test and measurement settings with a few clicks.

### Flexibility for both routine and advanced care

The Madsen Capella<sup>2</sup> is so flexible that you can use it for both routine testing as well as for more advanced cases. Multiple stimulus calibration choices and an automated frequency selection alternative are just two features that enhance the way you work.

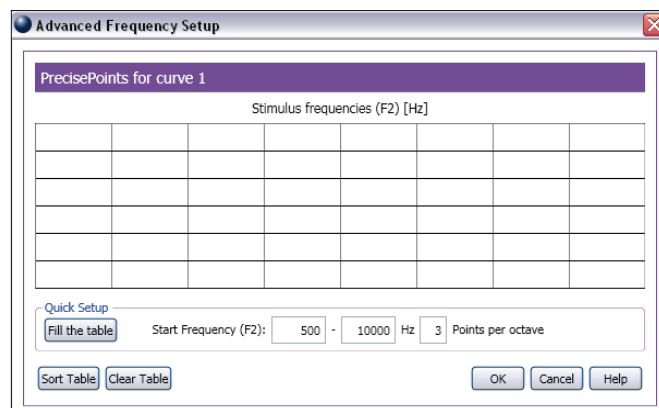
For stimulus calibration we introduce Chirp or Optimized In Situ. The Chirp works well when speed is most important. When combined with predefined measurement settings it is a suitable tool for general testing of patients. For patient cases where preciseness is crucial, Optimized In Situ calibration will provide

more security and confidence in your data collection. Together with historical probe fit and data comparison you can accurately assess cases where slight changes in the response are crucial; for instance those receiving ototoxic medications or treatment.



Historical probe fit and data comparison.

PrecisePoints™ provides the simplest way to set up the exact test frequencies you want. It allows the operator to quickly select commonly used audiometric test frequencies as the F2 test frequencies or set a range with predefined points per octave. For advanced users there is the possibility to manually configure any frequency combination desired; providing a virtually infinite number of points per octave.



PrecisePoints™.

See the Madsen Capella<sup>2</sup> video on [hearing-balance.natus.com/capella2](http://hearing-balance.natus.com/capella2)



## Achieve more with an integrated clinic

The Otosuite® software makes it easy and intuitive to operate Madsen® Capella<sup>2</sup>. It also helps you make the most of your time and expertise by bringing together audiometry, OAE, immittance and fitting devices into one familiar, easy-to-use solution. An Otosuite integrated clinic gives you a more efficient work process – and your patients a smoother and more professional experience.

**See more about Otosuite at**  
[hearing-balance.natus.com/otosuite](https://hearing-balance.natus.com/otosuite)

### About Natus

A leader in hearing and balance products and solutions, Otometrics was acquired in 2017, and is now known as Natus. For almost 60 years, we have been helping clinicians improve the quality of life for their clients and patients by delivering expert knowledge, reliable solutions and services and trusted partnerships. We continue to develop, manufacture and market audiological, otoneurologic and vestibular instrumentation in more than 80 countries under trusted brand names, including Madsen®, Aurical®, ICS®, Otoscan® and Bio-logic®. Natus Medical Incorporated is the global brand clinicians depend on when diagnosing and treating disorders of the central nervous and sensory systems to improve patient outcomes. For more information, please visit [natus.com](https://natus.com).

**Healthcare solutions with one thing in mind. You.**

©2020 Natus Medical Incorporated. All Rights Reserved. All product names appearing on this document are trademarks or registered trademarks owned, licensed to, promoted or distributed by Natus Medical Incorporated, its subsidiaries or affiliates. 7-26-9061-EN Rev08

**natus**®

Natus Medical Incorporated

[natus.com](https://natus.com)